



T1656CP - A Power Supply

Specifications Table:

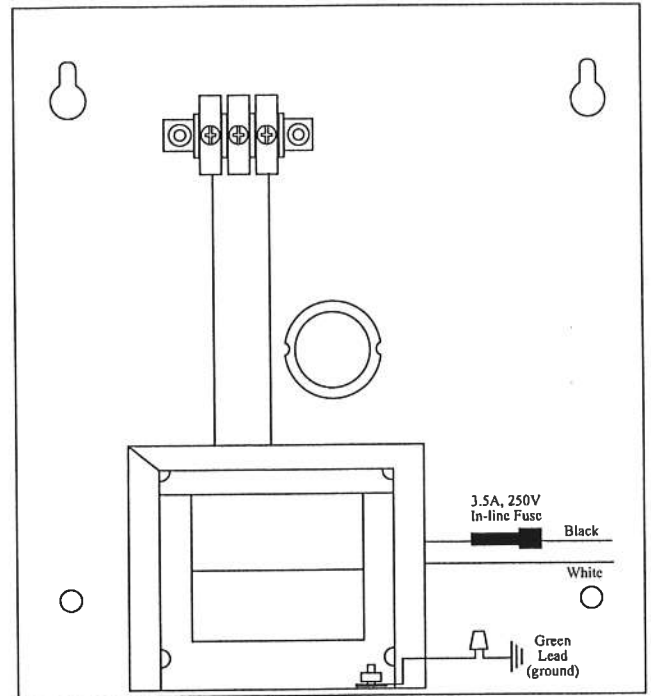
Model #	(Primary) Input	(Secondary) Output
T1656CP	115VAC 50/60Hz	16VAC/56VA

Replace in-line fuse with 250V, 3.5 amp Fuse Only.
220VAC models are available upon request.

Installation Instructions:

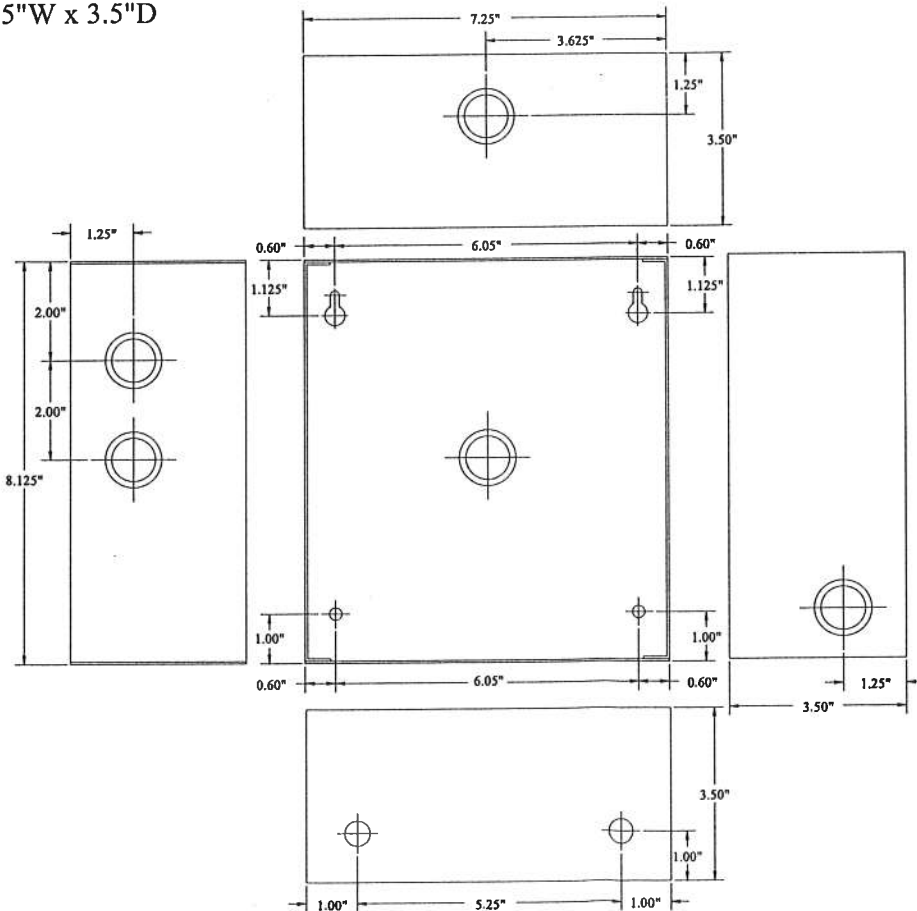
1. Mount the AC power supply in desired location.
2. Connect the AC (115VAC 50/60 Hz) to the black and white flying leads of the transformer (Fig. 1).
3. Measure output voltage before connecting device.
This helps avoid potential damage.

WARNING: This installation should be made by qualified service personnel and should conform to all local codes and in accordance with the National Electrical Codes.



Enclosure Dimensions:

8.5"H x 7.5"W x 3.5"D



Altronix is not responsible for any typographical errors. Product specifications are subject to change without notice.

